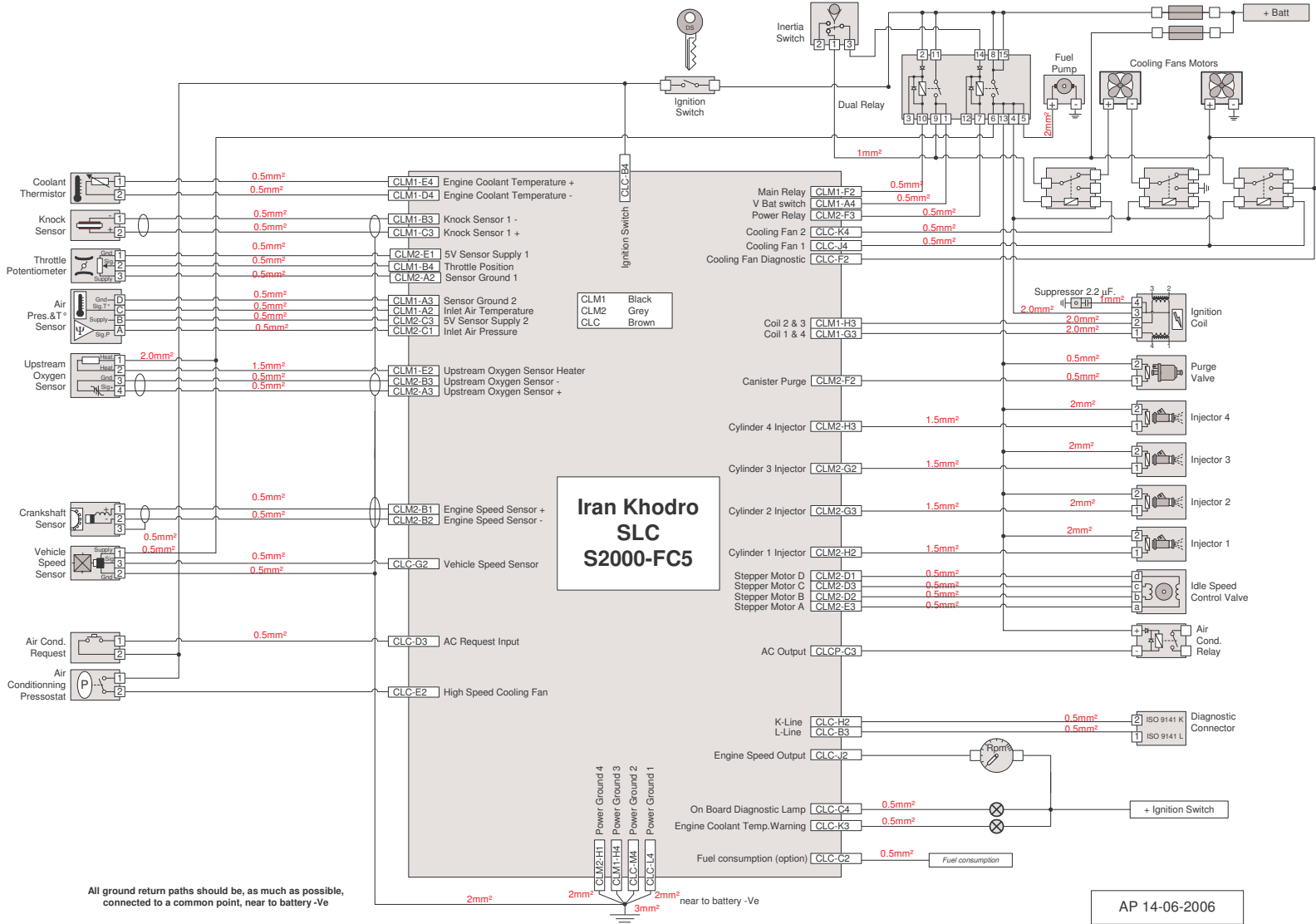


4 SCHEMATIC DIAGRAM

4.1 IRAN KHODRO XU7 SLC



AP 14-06-2006